

DATA SHEET

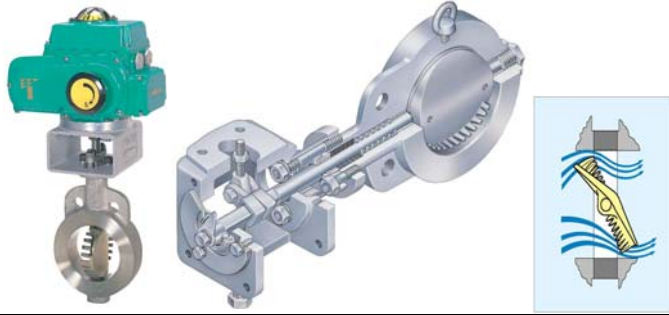
Product Data Sheet No : SD/PD/014 Rev 1
Title : Valve General specifications

Product : 507V Control Valve
Date : 2nd May 2012

Valve Nominal Size		50mm to 200mm	250mm to 400mm	
Applicable Flange Standards		JIS 10K/16K/20K ANSI 150lb / 300lb BS EN 1092 PN10/PN16/PN25 (Replaces BS 4504)		
Maximum Working Pressure		52 Barg (ANSI Class 300lb)	20 Barg (ANSI Class 150lb)	
Body Shell Test		78 Barg	30 Barg	
Seat Leak Test		57.2 Barg	22 Barg	
Working Temperature Range	Cast Steel	-10 to +400°C The following materials must be used on temperatures greater than 200°C Carbon for Bearings, Exfoliated graphite for packing.		
	Stainless Steel	-50 to +400°C The following materials must be used on temperatures greater than 200°C Carbon for Bearings, Exfoliated graphite for packing.		
Standard Materials	Body	50 to 200mm	Cast Steel SCPH2	Stainless Steel 316 JIS SCS14
		250 to 400mm	Cast Steel SCPH2	Stainless Steel 316 JIS SCS14
	Disc	50 to 150mm	Cast Steel SCPH2	Stainless Steel 316 JIS SCS14
		200 to 400mm	Ductile Iron FCD450	Stainless Steel 316 JIS SCS14
	Stem		Stainless Steel SUS630 (SUS316)	
	Bearings		Reinforced PTFE	
	Packing		Exfoliated Graphite	
Gland Flange		Stainless Steel		
Paint Coating		Silicone resin coating (Grey N7). No coating on Stainless Steel		
Actuators	Worm Gear	√		
	Pneumatic cylinder	√		
	Motorized	√		
Typical Valve Service		Air-conditioning, pulp, paper, steel chemical and food applications.		
Pressure Equipment Directive 97/23/EC Category		Under it's extreme operating conditions the 507V Valve is deemed to be Category III		

507V Basic Torque Figures

To enable Tomoe Valve Ltd to calculate the basic torque figures for model 507V valve, we require the service and flow conditions, including pressure drops.
This information is required for the calculation of the dynamic flow torques and the factoring of safety values.
Therefore for torque information of the 507V valve please contact the Tomoe sales office with the relevant information.



DATA SHEET

Product Data Sheet No : SD/PD/014 Rev 1
 Title : Valve General specifications

Product : 507V Control Valve
 Date : 2nd May 2012

507V Basic Valve Dimensions

Nominal Size		Basic Dimensions																			Mass (Kg) Approx	
In	mm	ØD	Ød	Ød2	Ød3	L	H1	H2	H3	H4	a1	a2	a3	a4	□S	C	W	Y	b	t1	t2	
2	50	92	49	16	12.7	40	63	108	158	75	30	28	71	17.5	12.9	104	125	125	5	3	2	4
3	80	127	73	16	12.7	40	86	126	158	75	30	28	71	17.5	12.9	104	125	125	5	3	2	6
4	100	155	97	16	12.7	40	98	149	158	75	30	28	71	17.5	12.9	104	125	125	5	3	2	8
6	150	216	146	16	12.7	52	129	187	158	75	30	28	71	17.5	12.9	104	125	125	5	3	2	15
8	200	265	194	16	12.7	62	184	208	158	75	30	28	71	17.5	12.9	104	125	125	5	3	2	25
10	250	324	241	24	20	89	191	278	209	115	50	44	99	21	20	125	155	150	7	4	3	36
12	300	370	289	24	20	89	230	302	209	115	50	44	99	21	20	125	155	150	7	4	3	46
14	350	415	318	24	20	89	256	316	209	115	50	44	99	21	20	125	155	150	7	4	3	62
16	400	470	364	24	20	108	296	338	209	115	50	44	99	21	20	125	155	150	7	4	3	76

